

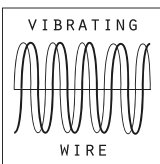
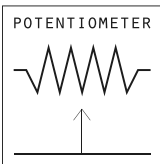
D313

— ELECTRICAL AND
VIBRATING WIRE
CRACKMETERS

EXTENSOMETERS
& JOINTMETERS



ELECTRICAL AND VIBRATING WIRE CRACKMETERS



Crackmeters are intended to monitor movements across surface joints or cracks, mainly in concrete structures or rocks.

Crackmeter consists of a vibrating wire or potentiometer displacement transducer housed in a stainless steel telescopic body with two anchoring points.

These anchors have self-lubricating ball joints allowing lateral movements up to $\pm 10^\circ$ in the orthogonal planes (Y - Z axis) not influencing the operation of the jointmeter.

APPLICATIONS

- Cracks on concrete structures or rock
- Structural joints like in concrete dams
- Displacements on pile bearing
- Monitoring of rock faults

FEATURES

- 3-D mounting kit available for triaxial displacement monitoring
- Ball joints allow small lateral movement
- Suitable for long term monitoring

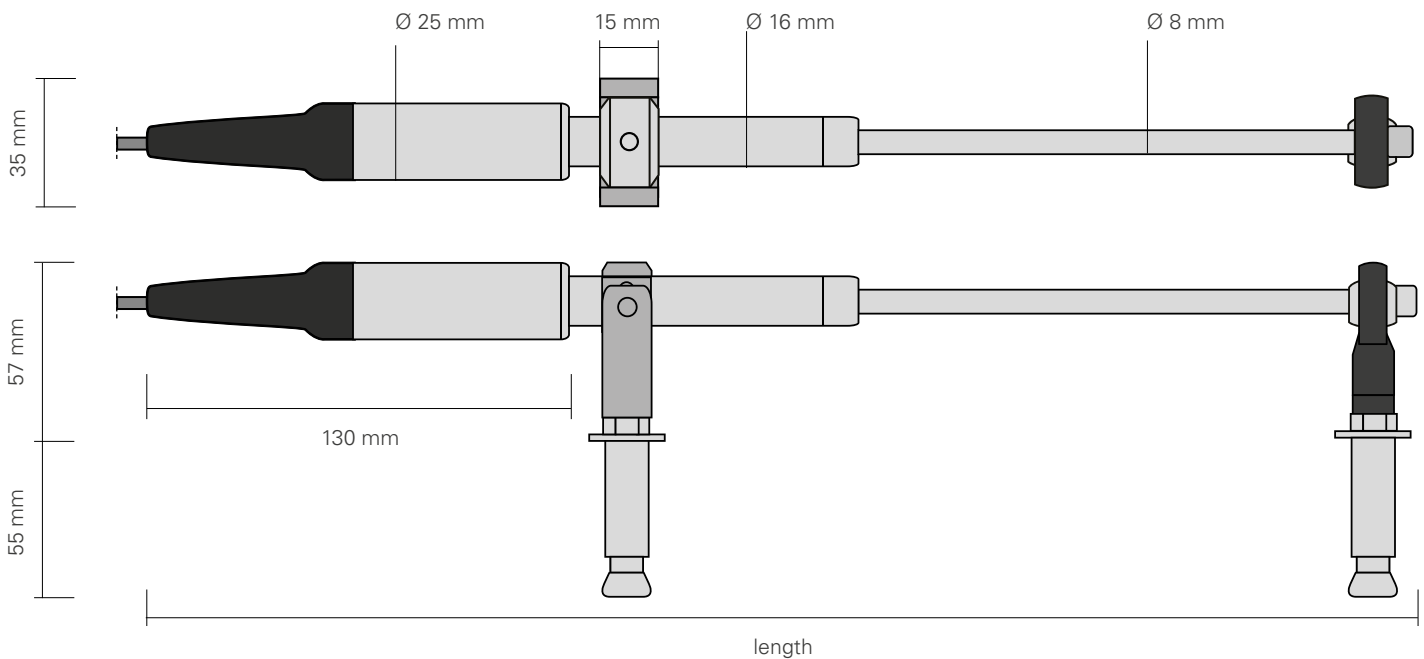
 Meet the essential requirements of the EMC Directive 2014/30/EU

VIBRATING WIRE CRACKMETERS

MODEL	0D313S025VW	0D313S050VW	0D313S100VW	0D313S150VW
Measurement principle	vibrating wire with built-in thermistor			
Range	0 - 25 mm	0 - 50 mm	0 - 100 mm	0 - 150 mm
Accuracy Pol. MPE ⁽¹⁾	< ±0.50% FS	< ±0.30% FS	< ±0.30% FS	< ±0.30% FS
Output signal	frequency (displacement), resistance (thermistor)			
Sensitivity ⁽²⁾	see calibration report			
Displacement resolution	0.02% FS (with Sisgeo readout)			
Typical frequency range ⁽³⁾	1500 - 2800 Hz			
Power supply	-			
Operating temperature	-20°C +80°C			
Anchors type	expanding shell anchor Ø 14 mm, 55 mm long			
Length (compressed)	293 mm	360 mm	460 mm	621 mm
Length (extended)	318 mm	410 mm	560 mm	771 mm
Material	stainless steel	stainless steel	stainless steel	stainless steel
Weight	0.5 kg	0.6 kg	0.7 kg	0.8 kg
Protection	IP68 up to 100 kPa (tested in a static condition, upper value on request)			
Signal cable	0WE104K00ZH			
Max. distance to datalogger ⁽⁴⁾	1000 m (for more information see FAQ#77)			

- (1) MPE is the Maximum Permitted Error on the measuring range (FSR). In the Calibration Report, the accuracies of the gauge are calculated using both linear regression and polynomial correction (\leq Pol. MPE)
 (2) Sensitivity is a specific parameter different for every gauge. The sensitivity is calculated during gauge calibration test and inserted into the calibration report. (3) The expressed frequency range could have a $\pm 10\%$ variation
 (4) Refer to FAQ section of Sisgeo website: www.sisgeo.com/assistance/faq.html

PHYSICAL FEATURES



ELECTRICAL CRACKMETERS

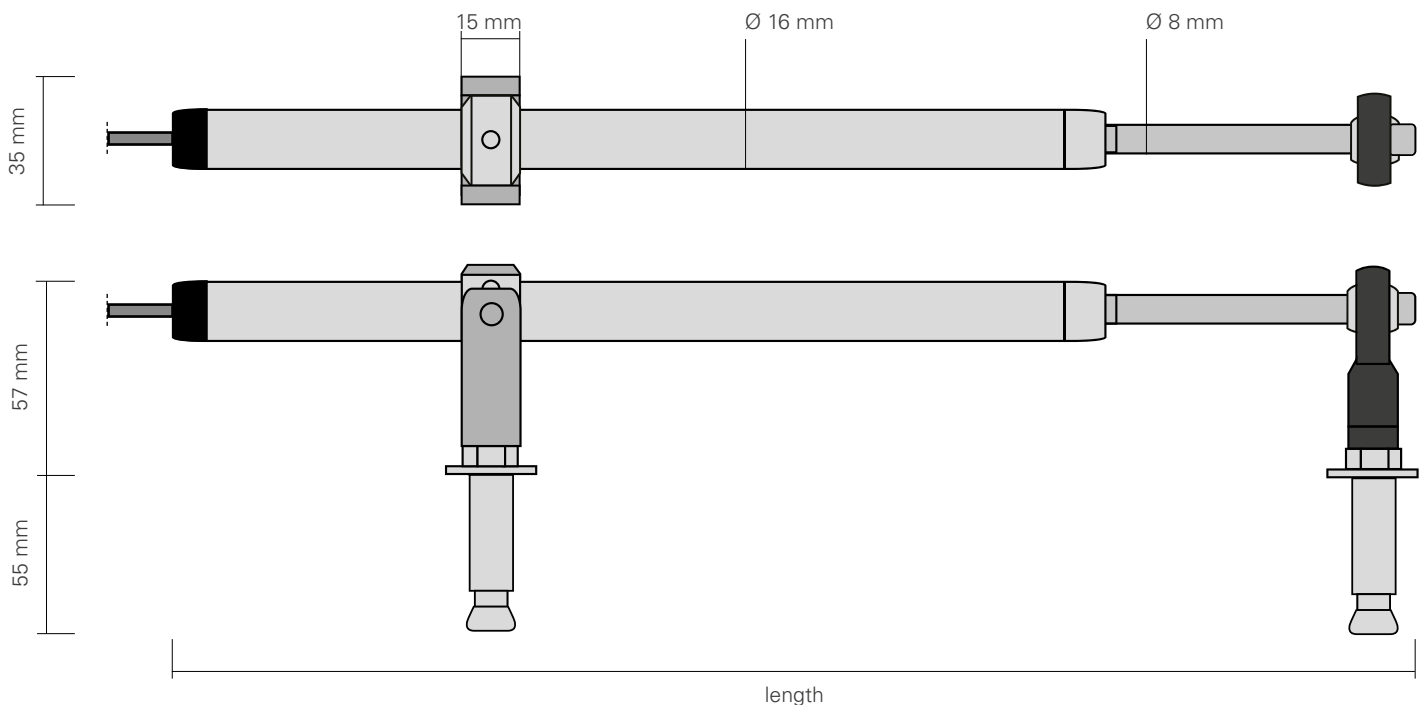
MODEL	OD313SA1000	OD313SA2500	OD313SA5000	OD313SAE100	OD313SAE150	OD313SAE200
Measurement principle	linear potentiometer					
Range	10 mm	25 mm	50 mm	100 mm	150 mm	200 mm
Accuracy						
Pol. MPE ⁽¹⁾	< ±0.50% FS	< ±0.30% FS	< ±0.20% FS	< ±0.20% FS	< ±0.15% FS	< ±0.15% FS
Output signal	4-20 mA current loop (voltage on request)					
Resolution	0.01% FS (with Sisgeo readout)					
Power supply	12 - 24 V DC					
Sensitivity ⁽²⁾	see calibration report					
Operating temp.	-20°C +60°C					
Anchors type	expanding shell anchor Ø 14 mm, 55 mm long					
Length (compressed)	334 mm	334 mm	384 mm	484 mm	584 mm	684 mm
Length (extended)	344 mm	359 mm	434 mm	584 mm	734 mm	884 mm
Material	stainless steel					
Weight	0.5 kg	0.5 kg	0.6 kg	0.7 kg		0.9 kg
Protection	IP68 up to 100 kPa (tested in a static condition, upper value on request)					
Signal cable	0WE102KEOZH					
Max. distance to datalogger ⁽³⁾	1000 m (for more information see FAQ#77)					

(1) MPE is the Maximum Permitted Error on the measuring range (FSR). In the Calibration Report, the accuracies of the gauge are calculated using both linear regression and polynomial correction (\leq Pol. MPE)

(2) Sensitivity is a specific parameter different for every gauge. The sensitivity is calculated during gauge calibration test and inserted into the calibration report.

(3) Refer to FAQ section of Sisgeo website: www.sisgeo.com/faq

PHYSICAL FEATURES



ACCESSORIES AND SPARE PARTS

Y-AXIS FIXING KIT OD31Y1DTE00

Y-axis fixing kit is composed by a stainless steel "L" shaped plate (50x50x150 mm) supplied with screws, nuts and expanding shell anchors, allowing jointmeter installation in Y direction.

Z-AXIS FIXING KIT OD31Z1DTE00

Z-axis fixing kit is composed by two stainless steel "L" shaped plates (50x60x200 mm and 50x50x65 mm) supplied with screws, nuts and expanding shell anchors, allowing jointmeter installation in Z direction.

EXTENSION ROD OD313A15000

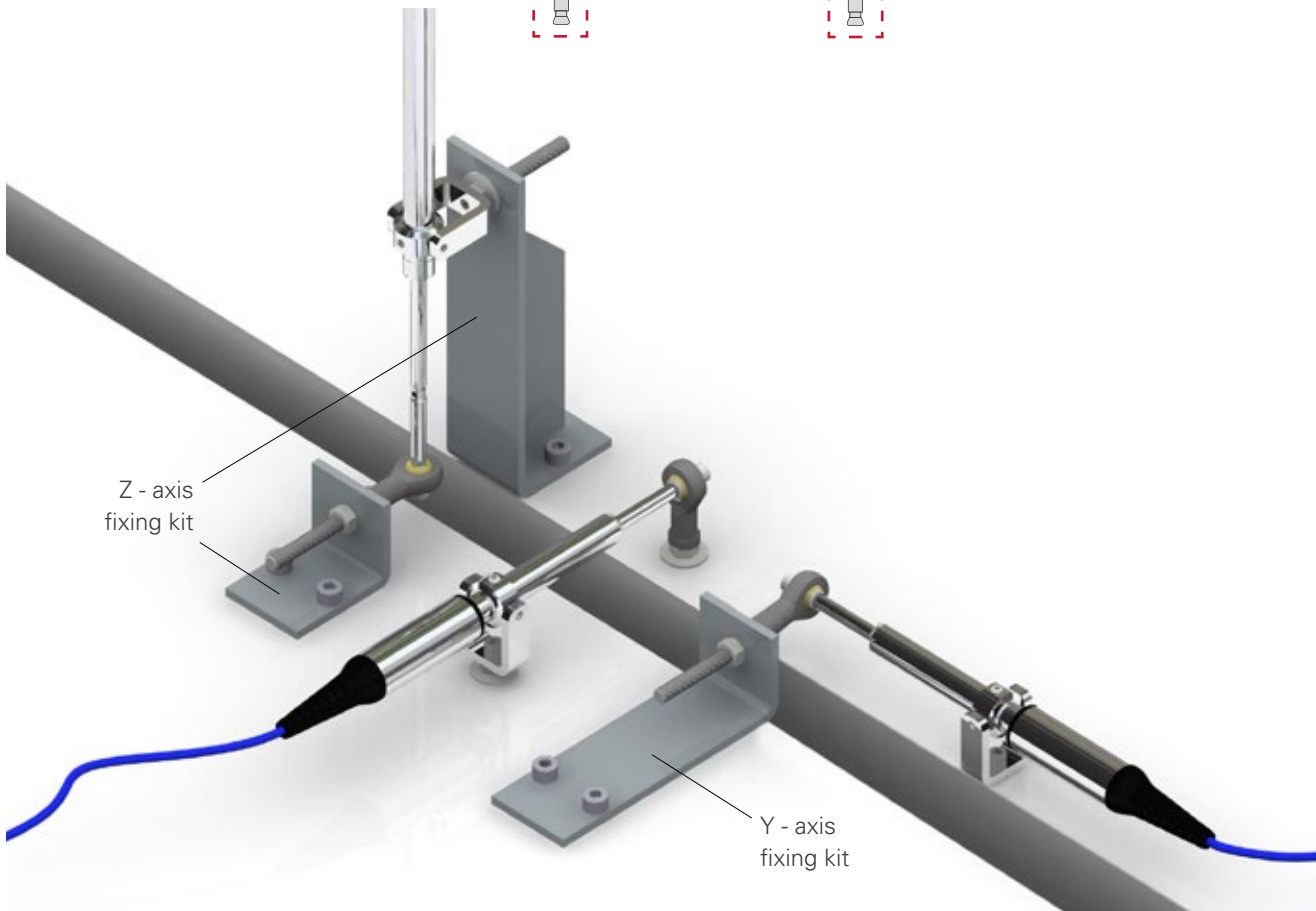
Stainless steel extension rod for installation of anchors 150 mm further apart.

16 PAIRS MULTICORE CABLE OWE1320LSZH

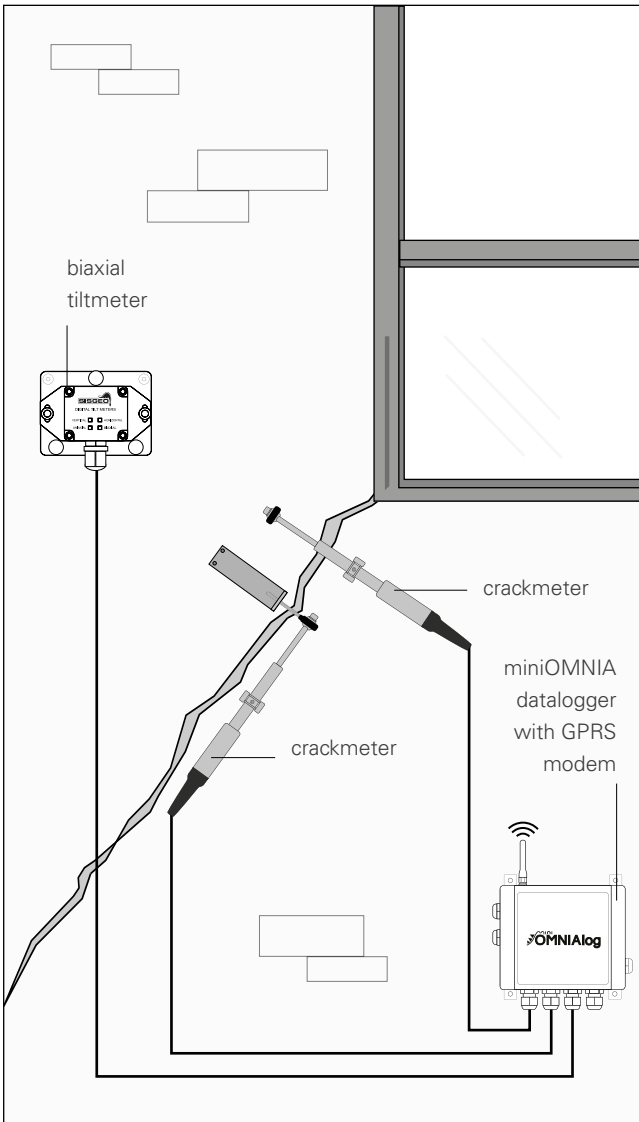
Multicore cable (32 wires, 24 AWG) with LSZH M1 external jacket for grouping up to 4 vibrating wire jointmeters or 8 electrical jointmeters.

CRACKMETER SUPPORT KIT (SPARE) OD313ANCKIT

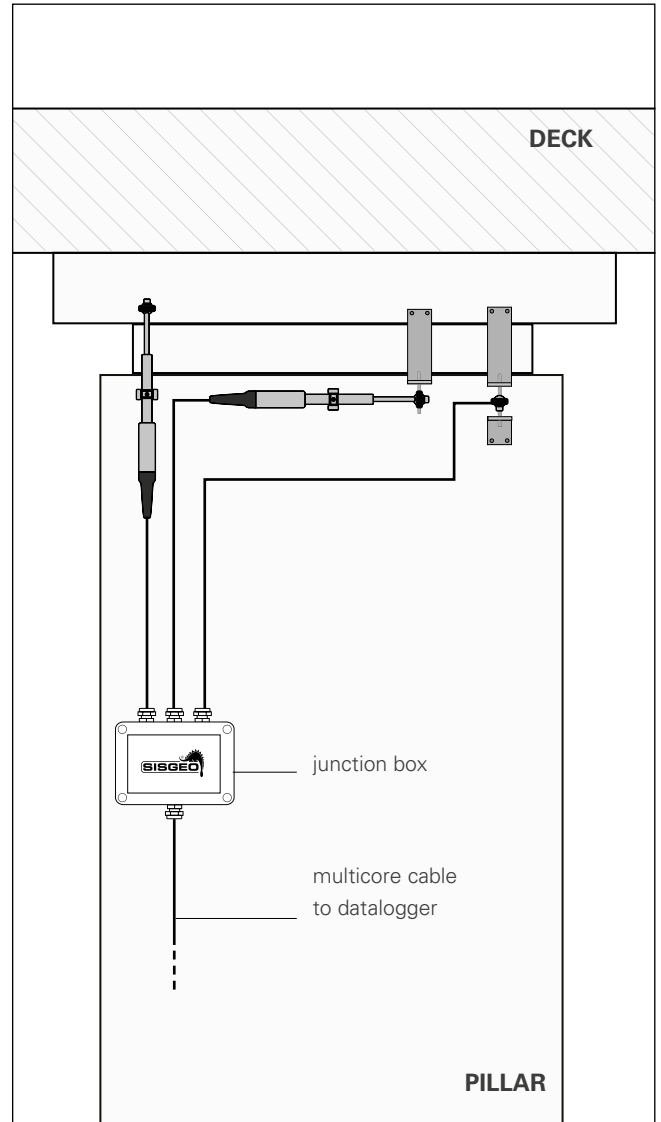
Spare supports for one crackmeters. The kit includes two anchors, one rod tip support, and one body support.



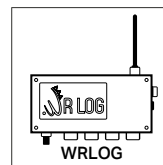
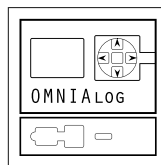
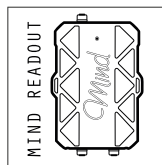
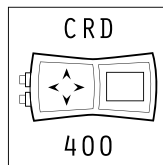
ANALOGUE WIRELESS STRUCTURAL MONITORING



EXAMPLE OF 3-D APPLICATION PILE BEARING DISPLACEMENT



READABLE BY



For further information refer to their own datasheets

All the information in this document is the property of Sisgeo S.r.l. and should not be used without permission from Sisgeo S.r.l. The manufacturer reserves the right to make changes to the product or to its parts without prior notice, also on the basis of contingent situations not related to the technical characteristics alone, such as, for example, material or components shortages. For the specific accuracy performance of each product, please refer to the Calibration Report issued for each instrument. The datasheet is issued in English and other languages. In order to avoid discrepancies and disagreement on the interpretation of the meanings, Sisgeo Srl declares that English Language prevails.

SISGEO S.R.L.

VIA F. SERPERO 4/F1
20060 MASATE (MI) ITALY
PHONE +39 02 95764130
FAX +39 02 95762011
INFO@SISGEO.COM

TECHNICAL ASSISTANCE

SISGEO offers customers e-mail and phone assistance to ensure proper use of instruments and readout and to maximize performance of the system.

For more information, email us: assistance@sisgeo.com