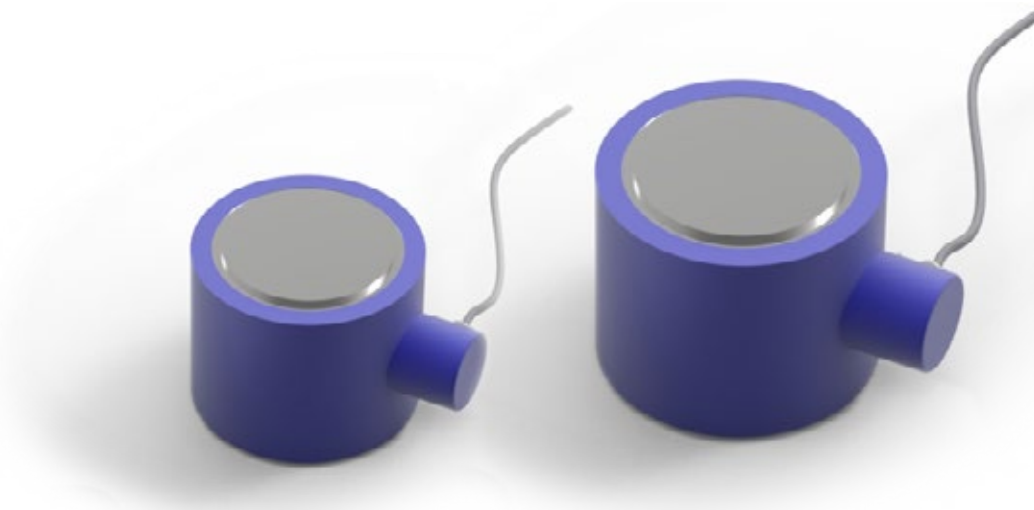


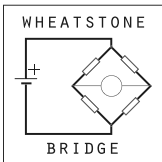
L2CT

— **SOLID
RESISTIVE
LOAD CELLS**

PRESSURE
& LOAD CELLS



SOLID RESISTIVE LOAD CELLS



Specially designed for pile testing, these robust load cells have a heat-treated steel body instrumented with either 4 or 8 strain gauges.

The cells provide long-term stability under heavy operating conditions.

They can be connected to remote data logging system for real time monitoring.

APPLICATIONS

- Specially designed for pile load testing

FEATURES

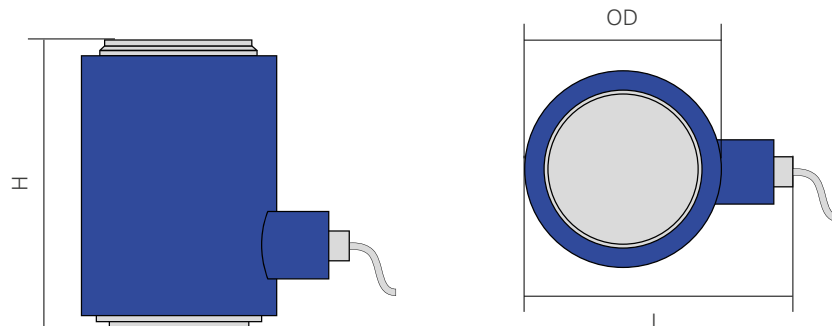
- Full wheatstone bridge for accuracy
- Robust construction for demanding field conditions
- Excellent long-term stability
- Direct reading of load with OMNIAlog data logger

CE Meets the essential requirements of the EMC Directive 2014/30/UE

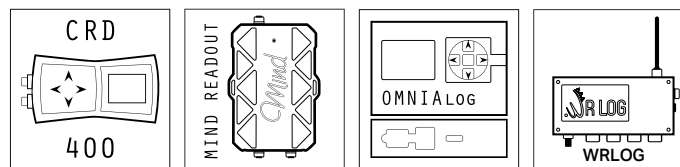
L2CT TECHNICAL SPECIFICATIONS

PRODUCT CODES	0L2CT050000	0L2CT080000	0L2CT100000
Capacity	5000 KN (510 metric tons)	8000 KN (815 metric tons)	10000 KN (1020 metric tons)
Overload	1.5 X capacity	1.5 X capacity	1.5 X capacity
Repeatability	< ±0.03% FS	< ±0.03% FS	< ±0.03% FS
Accuracy	< ±0.1% FS	< ±0.1% FS	< ±0.1% FS
Power supply	max 15 V DC	max 15 V DC	max 15 V DC
Signal output	2 mV/V at FS (4-20 mA on request)	2 mV/V at FS (4-20 mA on request)	2 mV/V at FS (4-20 mA on request)
Compensated temperature range	- 10°C +40°C	- 10°C +40°C	- 10°C +40°C
Temperature operating range	- 20°C +70°C	- 20°C +70°C	- 20°C +70°C
Material	17-4 PH stainless steel	17-4 PH stainless steel	17-4 PH stainless steel
OD	180 mm	216 mm	218 mm
Height (H)	200 mm	250 mm	300 mm
Overall size (OD x L x H)	150 x 220 x 200 mm	216 x 256 x 250 mm	218 x 258 x 300 mm
Protection Class	IP65	IP65	IP65

Calibration report for these load cell can be issued separately by qualified testing laboratory.



READABLE BY



For further information refer to their own datasheets

All the information in this document is the property of Sisgeo S.r.l. and should not be used without permission from Sisgeo S.r.l. The manufacturer reserves the right to make changes to the product or to its parts without prior notice, also on the basis of contingent situations not related to the technical characteristics alone, such as, for example, material or components shortages. For the specific accuracy performance of each product, please refer to the Calibration Report issued for each instrument. The datasheet is issued in English and other languages. In order to avoid discrepancies and disagreement on the interpretation of the meanings, Sisgeo Srl declares that English Language prevails.

SISGEO S.R.L.

VIA F. SERPERO 4/F1
20060 MASATE (MI) ITALY
PHONE +39 02 95764130
FAX +39 02 95762011
INFO@SISGEO.COM

TECHNICAL ASSISTANCE

SISGEO offers customers e-mail and phone assistance to ensure proper use of instruments and readout and to maximize performance of the system.

For more information, email us: assistance@sisgeo.com