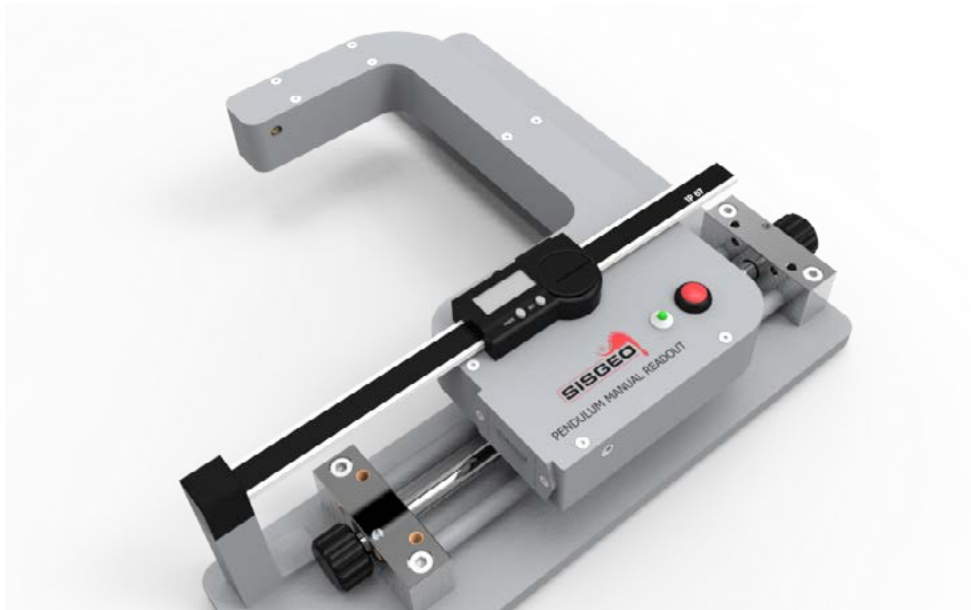


COORD

**— OPTICAL  
PENDULUM READOUT**

INCLINOMETERS  
& PENDULUMS



## OPTICAL PENDULUM READOUT

Optical pendulum readout (coordinometer) is a reliable and simple instrument for manual readings of pendulum systems.

It allows calculation of horizontal movements of the dam with respect to the pendulums wire, both in the upstream-downstream directions and left bank-right bank directions. The coordinates (X, Y) of the pendulum wire position, are determined by means of a pairs of photocells mounted on a high accuracy slide.

Optical pendulum readout can be utilized for in-place installation, removable measurements in different locations or for temporary manual measurement when automatic TEL310 pendulum readout is under service.

### APPLICATIONS

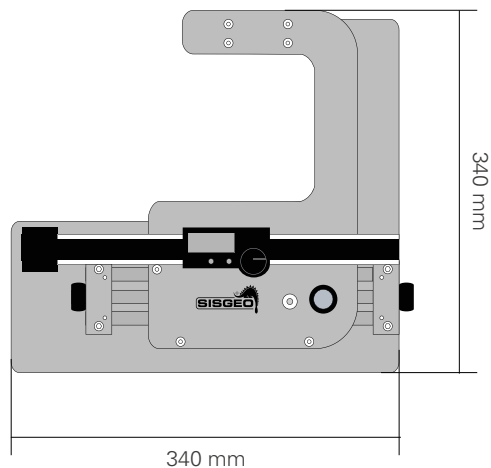
- Arch dams
- Concrete dams
- Skyscrapers
- Slender structures
- Bell towers
- Minarets

### FEATURES

- Simple to use and reliable
- Removable in order to take readings in different location
- Calibration frame gives information on instrument accuracy
- Suitable to substitute TEL310 under service

## TECHNICAL SPECIFICATIONS

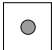
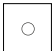
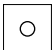
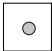
Measuring system	contactless (pair of photocells)
Measurement area	X-axis: 0-150 mm ( $\pm 75$ mm) Y-axis: 0-150 mm ( $\pm 75$ mm)
Gauge resolution	0.01 mm
Gauge accuracy	<0.1 mm
Gauge protection	IP67
Temp. operating range	-20°C +60°C
Detectable wire	minimum 1 mm diam
Material	aluminium
Dimensions	340x340x115mm
Weight	3.5 kg

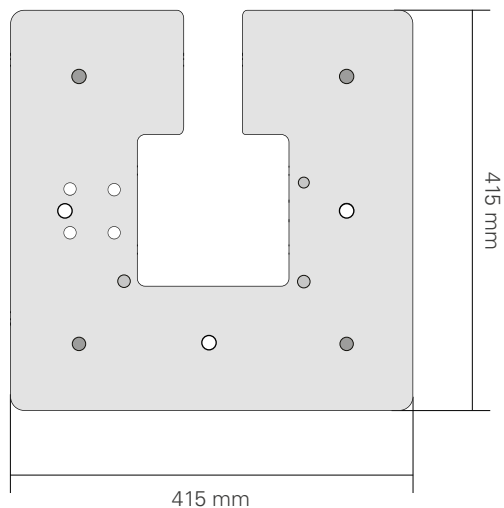


## ACCESSORIES AND SPARE PARTS

### OS9RTPLT100 SUPPORT BASE PLATE

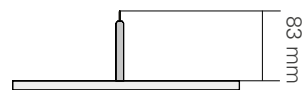
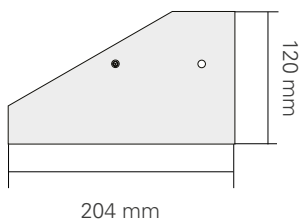
Support plate for manual pendulum readout (coordinometer).  
Material: galvanized steel  
Dimension: 415x415x10 mm (LxWxH)

-  Reference holes for placing the coordinometer
-  Holes for fixing the plate on TEL310 telecoordinometer support
-  Holes for installation and fixing
-  Reference holes for placing the calibration frame

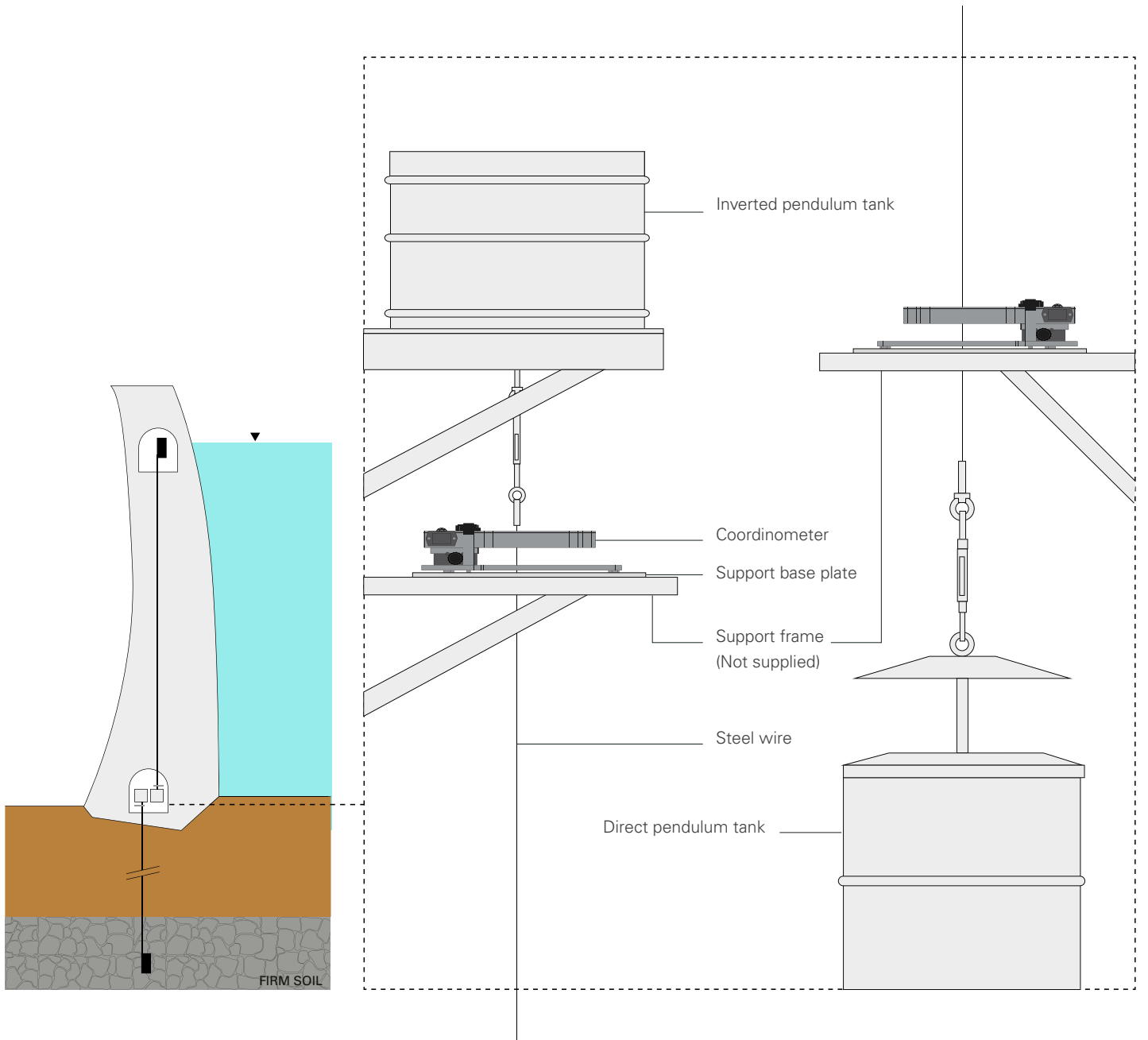


### OS9RTFR1000 CALIBRATION FRAME

Utilized to verify the calibration of the optical pendulum readout.  
Material: stainless steel / aluminium  
Dimension: 204x120x83 mm (LxWxH)



# TYPICAL DAM INSTALLATION



All the information in this document is the property of Sisgeo S.r.l. and should not be used without permission from Sisgeo S.r.l.  
We reserve the right to change our product without prior notice.

## SISGEO S.R.L.

VIA F. SERPERO 4/F1  
20060 MASATE (MI) ITALY  
PHONE +39 02 95764130  
FAX +39 02 95762011  
INFO@SISGEO.COM

## ADDITIONAL SUPPORT

SISGEO offers on-line assistance service to the Customers in order to maximize the performance of the system and training on the correct use of the instrument/readout.

For more information contact mail: [assistance@sisgeo.com](mailto:assistance@sisgeo.com)